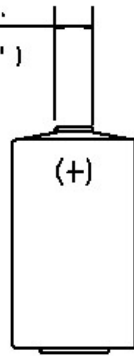


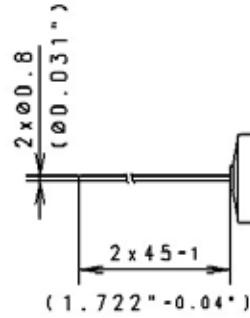
Termination S



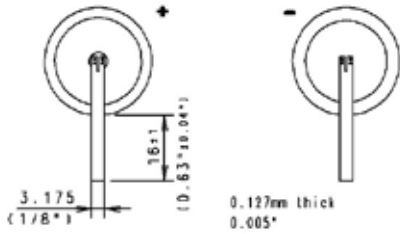
$\varnothing 4.4 \text{ Max.}$
 $(\varnothing 0.173 \text{ "})$



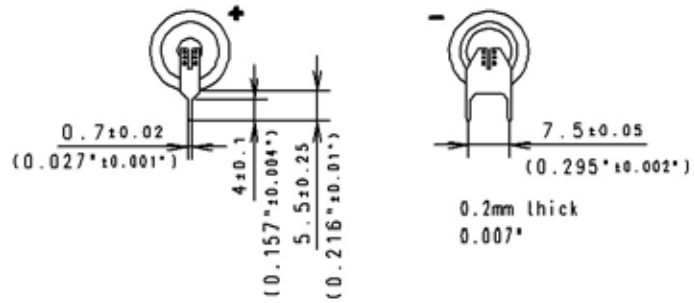
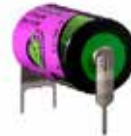
Termination P



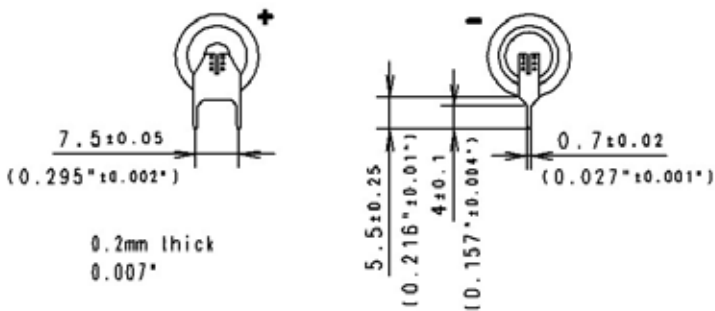
Termination T



Termination TP



Termination PT



Termination PT2

