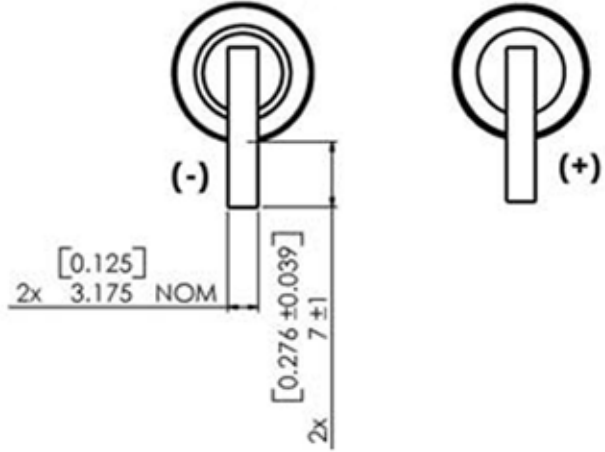


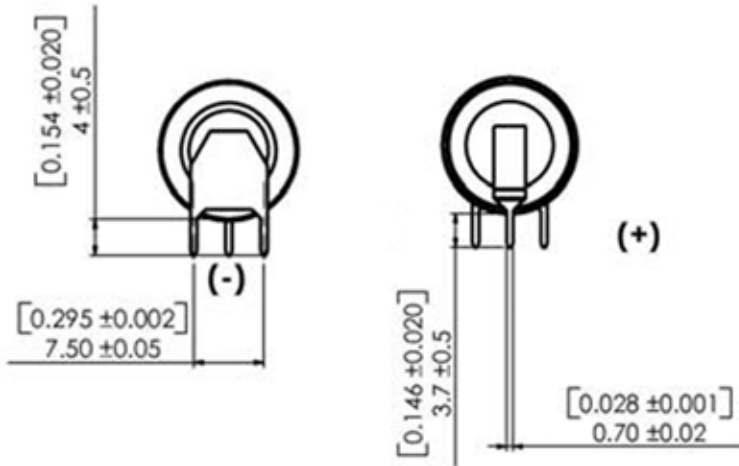
Termination S



Termination T



Termination TP



Termination PT

